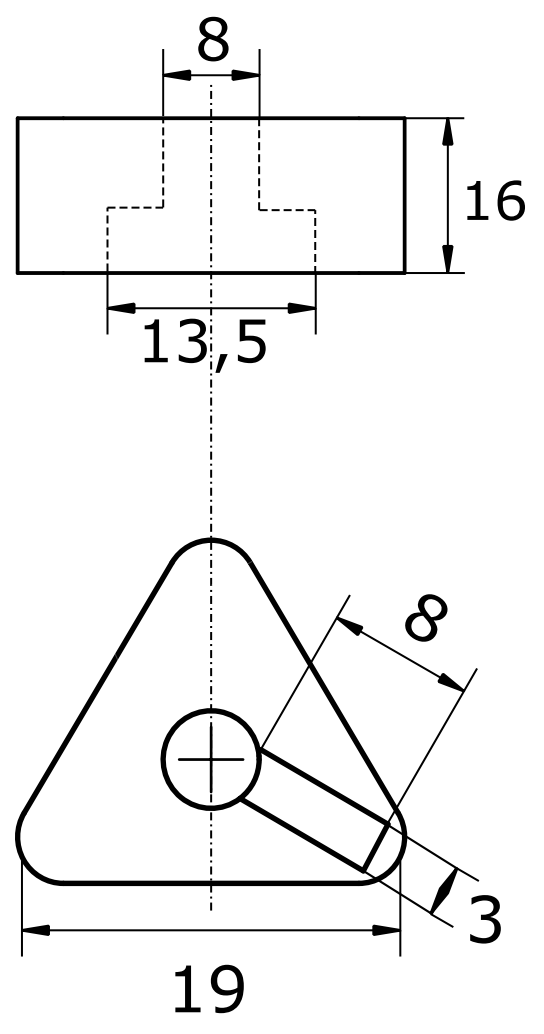
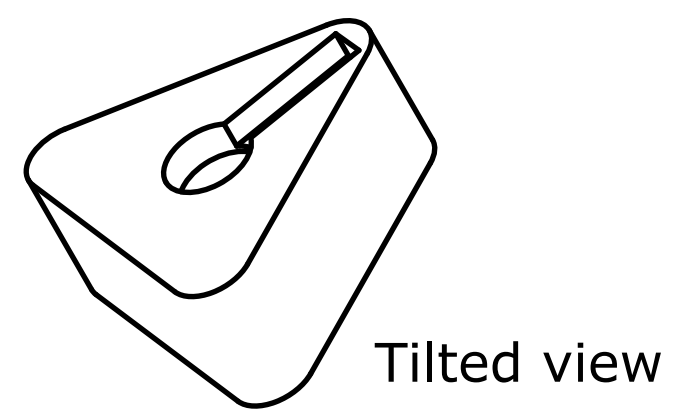


Anodes compatible zu Gori



Reference number
1.1407210000
2.1472100000



	Anode Category :	Article:			
	Anodes compatible with Gori	9624			
ISO (Norm)	Material:	Weight:			
	Zink	0,037kg			
(For information only, is not subject to change management)		Scale: 1:1	Zst:	Changes:	Date: