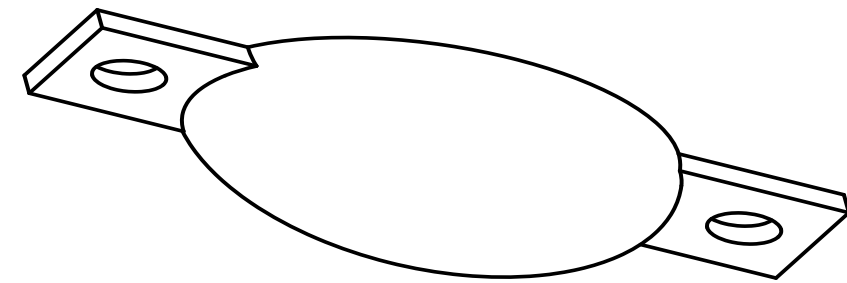
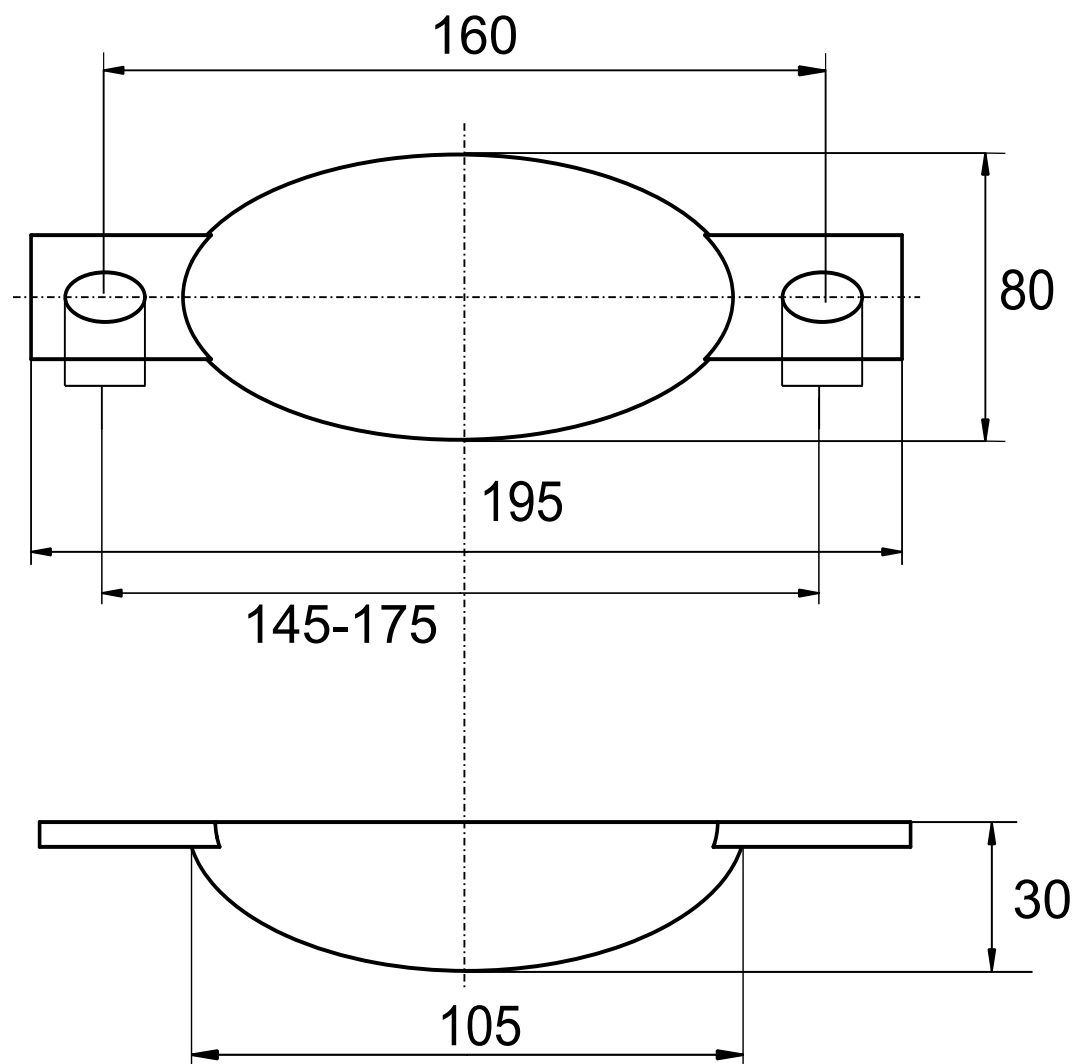


Ovalanode



Tilted-view

	Anode Category :	Article:			
	Ovalanode	9354AL			
ISO (Norm) 	Material:	Weight:			
	AlZn5In	0,450kg			
(For information only, is not subject to change management)		Scale:	/		
			Zst:	Changes:	Date: