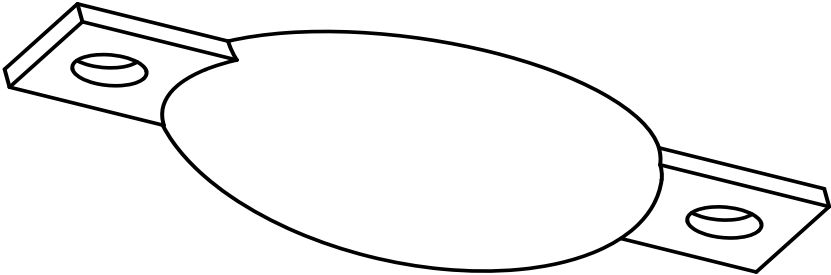
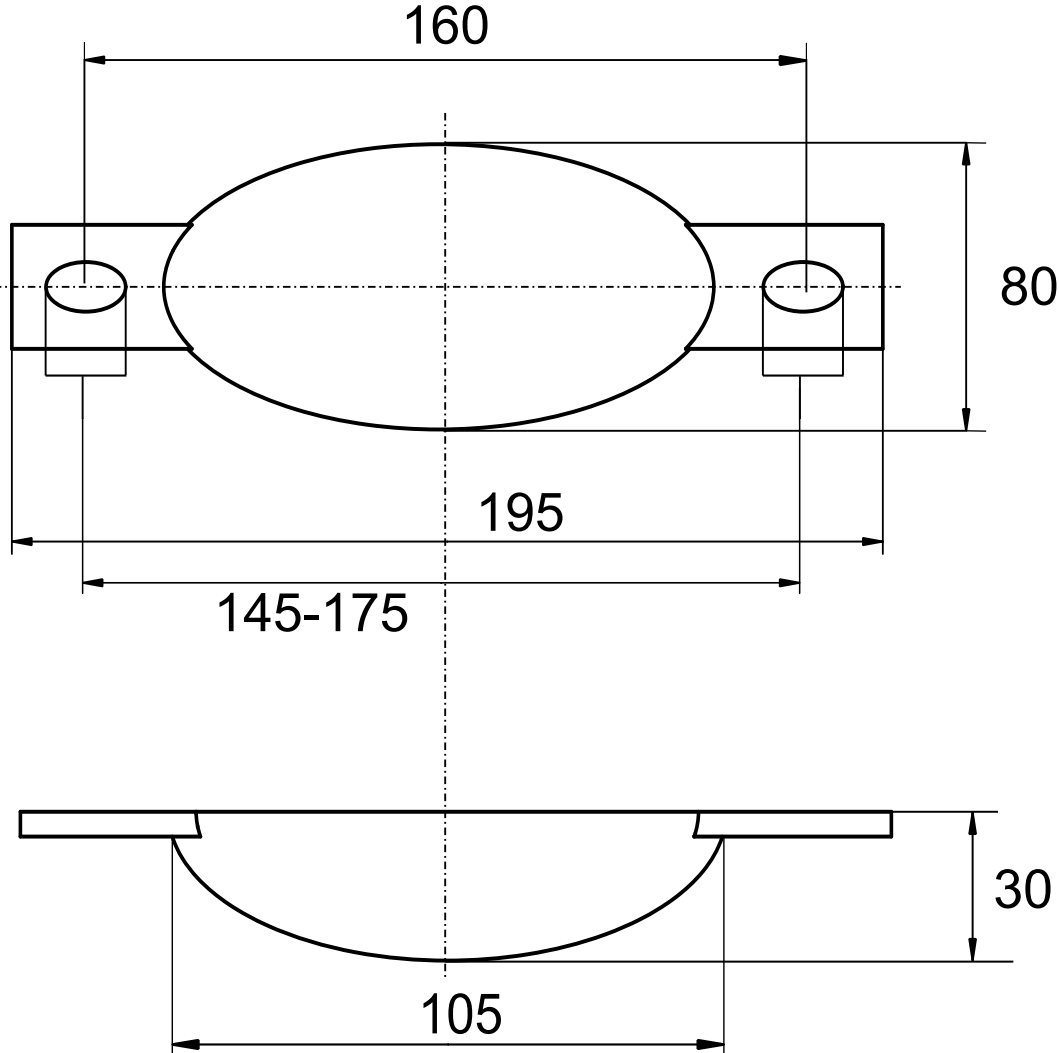


# Oval anodes



Tilted-view



ISO (Norm)

Anode Category :  
**Oval anodes**  
 Material:  
**Zinc**

Article:  
**9354**  
 Weight:  
**1,20kg**

(For information only, is not subject to change management)

Scale: /

Zst: Changes: Date: